

**SUBURBAN  
RANCHER**



## Portable Poultry House

*The author is Ralph E. Pfost, Area Farm Advisor, Parlier.*

This portable poultry house is 5' x 10' when assembled and can be used to house 50 fryers, 20 laying hens or 15 turkey roasters. University of California Leaflet 2656, *Starting and Managing Small Poultry Units*; Leaflet 2919, *Feeding Chickens*; Leaflet 2954, *Common Poultry Diseases*; and Leaflet 2733, *Growing a Small Flock of Turkeys* can be of great help for small flock owners.

In high rainfall areas, the house can be set on a cement slab. One side of the house or roof can be raised several inches to promote water drainage off the roof. The area around the house should be properly drained. In burrowing rodent areas, it can be set on 1" welded wire covered by 2 to 6 inches of soil. Without added protection, this house is not designed for use in subfreezing weather. In hot climates, it is best to place the house in the shade of a large tree.

An electric infrared red bowl reflector light bulb (250-watt R40 with heat-resistant glass) mounted in a socket with a bulb guard can be hung about 18 inches above the litter by a metal chain from the center rafter instead of the center feeder during brooding.

By keeping baby chicks inside a cardboard ring with feed and water, up to 50 chicks can be brooded with one infrared lamp in weather down to freezing (see diagram, next page). Lesser numbers of pullets or turkeys can be brooded by the same method.

This house is assembled by bolting the six preassembled sections together when twelve 5/16" x 2-1/2" bolts and attaching three 1" x 4" rafters with nails or bolts. When the house is no longer needed or used, it can be unbolted, washed, disinfected, and stored or sold. Since each section is only 5' x 6', it can easily be transported in a pickup truck.

The three rafters act as wall braces, roofing supports, and hangers for pan feeders that will each hold up to 25 pounds of feed. The end wall can be used to support an automatic float-type waterer, and the floor should be covered with 6 inches of wood shavings or other absorbent materials.

The lumber and roofing materials shown here are only suggestions. Lumber of other widths and thicknesses can be substituted. Plywood, shiplap, or tongue-and-groove can be used for siding. The shade material can be made from burlap, plastics, or canvas. Light needs to go through it but not wind or rain.

*Cooperative Extension*  
Division of Agricultural Sciences  
**UNIVERSITY OF CALIFORNIA**

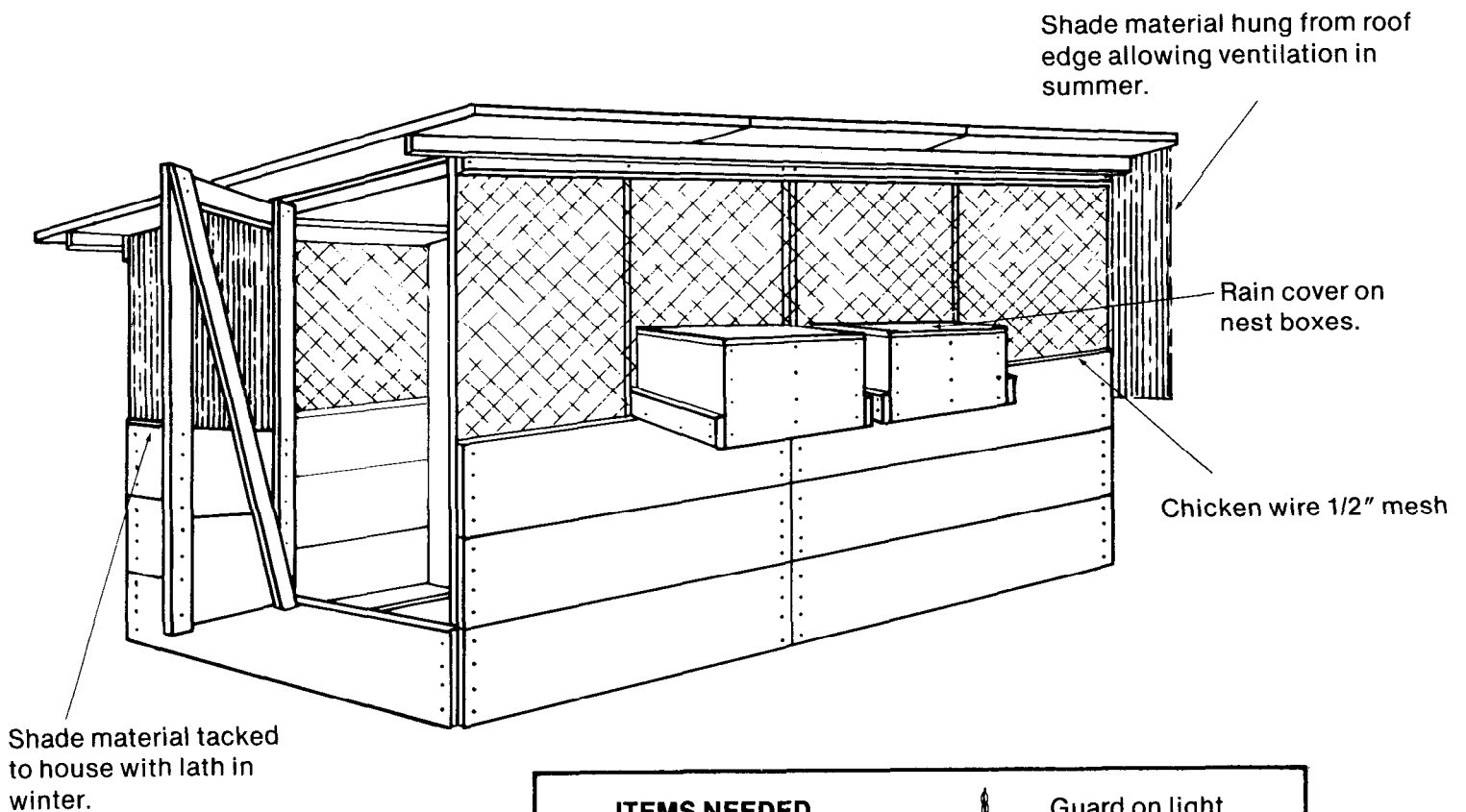
LEAFLET 21023

**B**

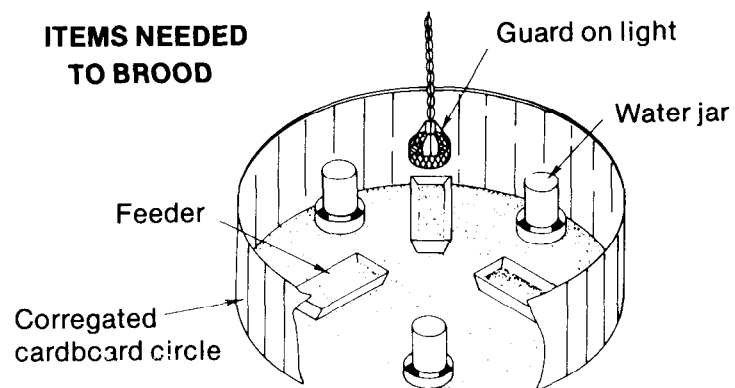
## CONSTRUCTION PROCEDURE

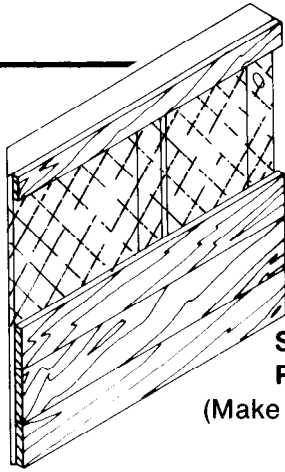
1. Cut lumber and assemble 2 Panel A's, 2 Panel B's, 1 End Section with Door, and 1 End Section without Door. Assemble Side Sections by bolting 1 Panel A and 1 Panel B together.
2. Set sections in place and bolt together (see diagram, last page).
3. Assemble door and hang.
4. Bolt or nail 3 rafters between side sections. Nail lath to upper facing on either side so it overhangs 12" to support roof. Nail metal roofing in place and paint house if desired.
5. Assemble nest boxes. Cut away section of chicken wire and bolt boxes in place. Cover boxes to protect from rain.
6. Install feeders, waterer, lights, and brooder.
7. In cold weather, tack shade material with lath on top and bottom of each screened opening. In hot weather, suspend shade material from edge of roof for ventilation and shade.

## PORTABLE POULTRY HOUSE



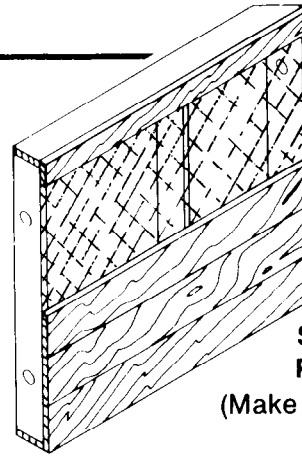
## ITEMS NEEDED TO BROOD





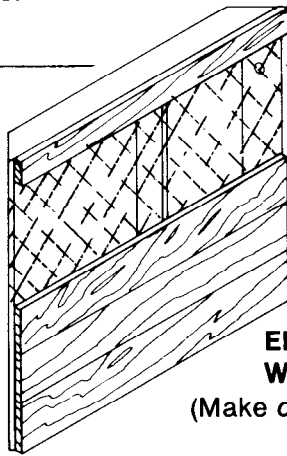
**SIDE SECTION—  
PANEL A**  
(Make two of these)

1. Take 2 plates 1" x 4" x 5' long and cut left end of each to an angle of 45°.
2. Take 3 studs 1" x 4" x 6' long. Center, mark, and drill 1/2" holes 2 and 4 feet from the bottom of each. Nail studs between plates, nailing left one at a 45° angle.
3. Nail 2 siding boards 1" x 12" x 5' long to bottom of panel, nailing lower board to bottom plate. Attach chicken wire to open part of panel. Then nail a third siding board 1" x 12" x 5' long above the first two. Nail a facing board 1" x 4" x 5' long to the top plate.



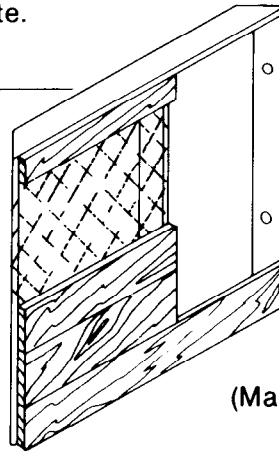
**SIDE SECTION—  
PANEL B**  
(Make two of these)

1. Take 2 plates 1" x 4" x 5' long and cut right end of each to an angle of 45°.
2. Take 3 studs 1" x 4" x 6' long. Center, mark, and drill 1/2" holes 2 and 4 feet from the bottom of each. Nail studs between plates, nailing right one at a 45° angle.
3. Nail 2 siding boards 1" x 12" x 5' long to bottom of panel, nailing lower board to bottom plate. Attach chicken wire to open part of panel. Then nail a third siding board 1" x 12" x 5' long above the first two. Nail a facing board 1" x 4" x 5' long to the top plate.



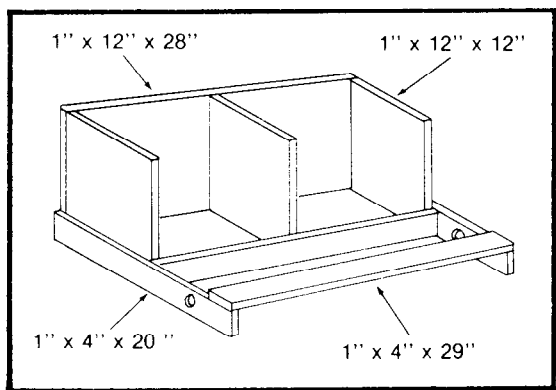
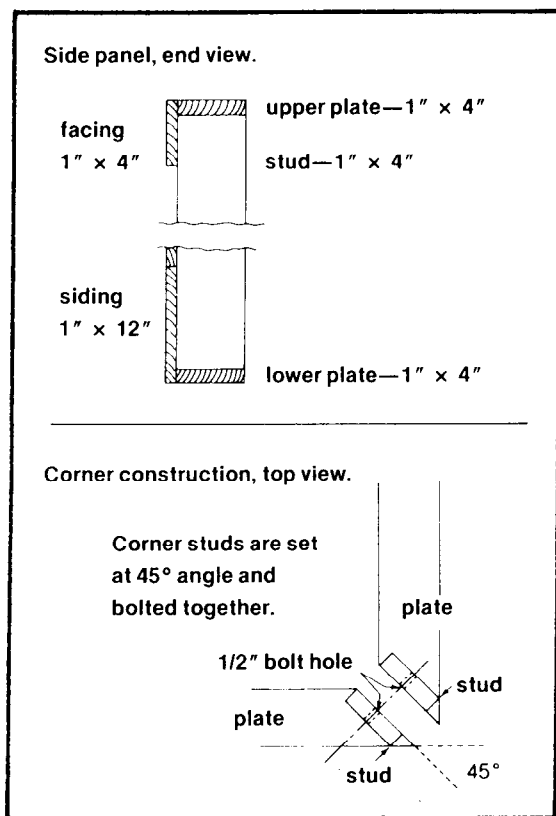
**END SECTION—  
WITHOUT DOOR**  
(Make one of these)

1. Take 2 plates 1" x 4" x 5' long and cut both ends of each to angles of 45°.
2. Take 3 studs 1" x 4" x 6' long. Center, mark, and drill 1/2" holes 2 and 4 feet from the bottom of each. Nail studs between plates, nailing both end studs at 45° angles.
3. Nail 2 siding boards 1" x 12" x 5' long to bottom of panel, nailing lower board to bottom plate. Attach chicken wire to open part of panel. Then nail a third siding board 1" x 12" x 5' long above the first two. Nail a facing board 1" x 4" x 5' long to the top plate.



**END SECTION—  
WITH DOOR**  
(Make one of these)

1. Take 2 plates 1" x 4" x 5' long and cut both ends of each to angles of 45°.
2. Take 3 studs 1" x 4" x 6' long. Center, mark, and drill 1/2" holes 2 and 4 feet from the bottom of each. Nail studs between plates, nailing both end studs at 45° angles.
3. Nail one siding board 1" x 12" x 5' long to the bottom plate. Above this board, nail one siding board 1" x 12" x 2 1/2' long between middle and left studs. Attach chicken wire to open part of panel above boards, leaving right section open for door. Then nail a second board 1" x 12" x 2 1/2' long above the first one. Nail a facing board 1" x 4" x 2 1/2' long to the top plate between middle and left studs.



**DOUBLE NEST BOX**

Construct 2 nest boxes like this and bolt between the studs of the poultry house. One nest is enough for 5 layers. When bolts are used, the nests can be taken out and put back as needed. Put a 3" layer of rice hulls in the bottom of the nests.

**MATERIALS NEEDED**

Lumber	Pieces	Dimensions
Siding	16	1" x 12" x 5'
Siding	4	1" x 12" x 2-1/2'
Plates, facing, door, rafters	23	1" x 4" x 5'
Facing, door	2	1" x 4" x 2-1/2'
Studs	18	1" x 4" x 6'
Shade support	30	Lath—4' lengths
Metal roofing	3	48" x 7' x 19 ga.
Chicken wire		36" x 30' x 1/2" mesh
Shade material		36" x 30'
Lighting equipment		Permanence of installation will vary with planned use of house
Hardware	12	Bolts 5/16" x 2-1/2", nuts, washers
		2-1/2 lbs. 6d Nails
		1/2 lb. Roofing nails
	2	Hinges with screws
	1	Gate latch
	1	Waterer
	3	Feeders
	1	Brooder
		30' Wire to hang feeders and waterers
Nest boxes	6	1" x 12" x 12"
	4	1" x 12" x 28"
	4	1" x 4" x 20"
	3	1" x 4" x 29"

The University of California Cooperative Extension in compliance with the Civil Rights Act of 1964, Title IX of the Education Amendments of 1972, and the Rehabilitation Act of 1973 does not discriminate on the basis of race, creed, religion, color, national origin, sex, or mental or physical handicap in any of its programs or activities. Inquiries regarding this policy may be directed to: Affirmative Action Officer, Cooperative Extension, 2120 University Avenue, University of California, Berkeley, California 94720, (415) 644-4270.

Issued in furtherance of Cooperative Extension work, Acts of May 8 and June 30, 1914, in cooperation with the United States Department of Agriculture, Jerome B. Siebert, Director, Cooperative Extension, University of California